



Designers' Choice

# COIN CELL PC BATTERY HOLDERS

## 20mm to 30mm Sizes



**SINGLE CELL HOLDER (3-VOLT)**

**DUAL CELL HOLDER (6-VOLT)**

Single and Dual "Printed Circuit" Cell Holders for Lithium Coin Cells. Designed for easy battery replacement. Will accommodate diameters from 12mm to 30mm and heights from 1.6mm to 7.7mm. Some holders will accept more than two cells if they fall within the heights specified.

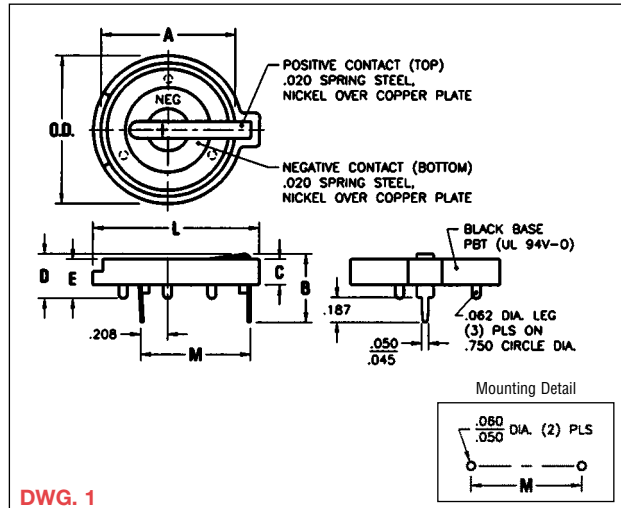
**IDEALLY SUITED FOR...**

- Duracell, Eveready, Panasonic, Ray-O-Vac, Sanyo, Varta, Toshiba, Seiko and other major battery manufacturers
- Computer memory, power transfer and back-up systems
- Video and telecommunications power back-up
- Preprogrammed video and electronic games
- Microprocessors and Microcomputer memory hold
- Notebook and laptop applications
- Emergency power systems
- Industrial and commercial security and alarm systems
- Communications power sources
- Miniaturized battery power devices

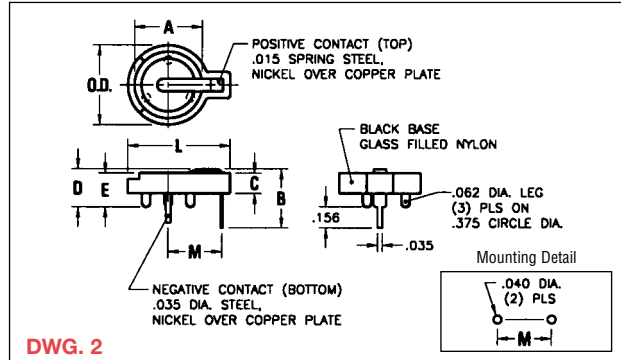
**DESIGN ADVANTAGES...**

- Low profile for high density packaging
- Reliable spring tension assures low contact resistance
- Retains battery securely to withstand shock and vibration
- Unique notched slots assure quick and easy battery insertion and replacement
- Base material UL Rated 94V-0. Impervious to most industrial solvents
- Operating temperature range: -60°F to +293°F (-50°C to +145°C)
- Advanced air-flow design pattern enhances air circulation around battery
- Nickel-over-copper plated spring steel contacts feature clearly marked polarities to help guard against improper insertion

## 12mm to 16mm & 1/3 "N" Sizes



DWG. 1



DWG. 2


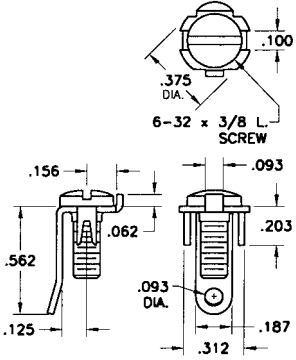
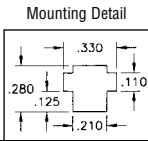

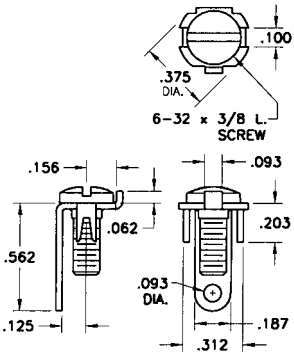
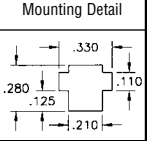

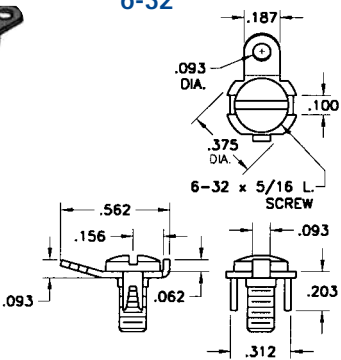
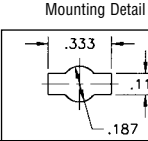
CAT. NO.	DWG. NO.	NO. OF CELLS	DIMENSIONS								BATTERY CROSS REFERENCE	
			A	B	C	D	E	L	O.D.	M	CELL	
499	2	1	.495	.695	.250	.580	.350	.750	.593	.393	"1/3N"	DURACELL, EVEREADY, PANASONIC, RAY-O-VAC SANYO, SONY, SEIKO, TOSHIBA, VARTA
500	2	1	.495	.435	.150	.280	.250	.750	.593	.393	12mm	BR1216, CR1216, BR1220, CL1220, CR1220, BR1225
501	2	2	.495	.505	.250	.380	.350	.750	.593	.393	16mm	
502	2	1	.635	.505	.150	.312	.250	.897	.750	.463	16mm	BR1616, CR1612, CR1616, CR1620, CR1632
103	1	1	.796	.513	.195	.335	.295	1.130	.896	.807	20mm	BR2016, CR2016, DL2016, BR2020, CL2020, BR2025, CR2025, DL2025, BR2032, CR2032, DL2032
106	1	1	.796	.513	.195	.335	.295	1.219	1.093	.807		
1026	1	2	.796	.630	.312	.452	.412	1.219	1.093	.807		
104	1	1	.911	.513	.195	.335	.295	1.150	1.000	.807	23mm	BR2320, CL2320, CR2320, BR2325, CR2325, DL2325, BR2330, CL2330, BR2335, CR2354**
107	1	1	.911	.513	.195	.335	.295	1.219	1.093	.807		
1027	1	2	.911	.630	.312	.452	.412	1.219	1.093	.807		
105	1	1	.985	.513	.195	.335	.295	1.219	1.093	.807	24mm	CR2430, DL2430, CR2450*, DL2450*, CR2477†
1025	1	2	.985	.630	.312	.452	.412	1.219	1.093	.807		
1025-7	1	1	.985	.681	.312	.503	.412	1.219	1.093	.807		
301	1	1	1.187	.513	.195	.335	.295	1.425	1.297	.807	30mm	BR3032

\* For Cat. No. 1025 (1) cell only. \*\* For Cat. No. 1027 (1) cell only. † For Cat. No. 1025-7 only.


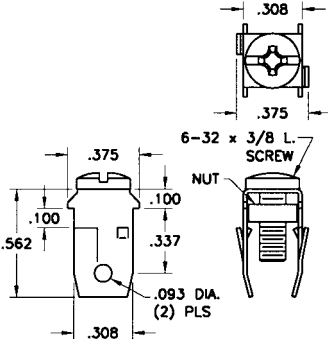
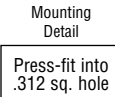

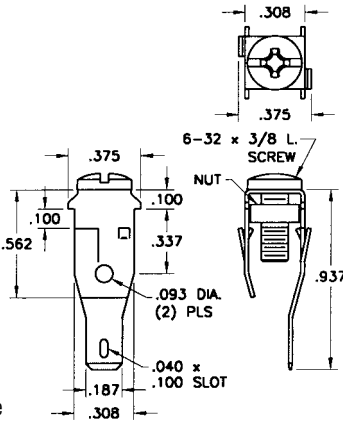
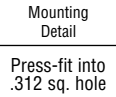


Designers' Choice

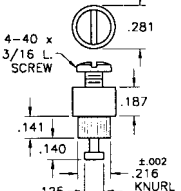
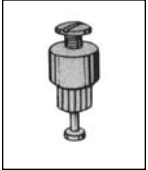
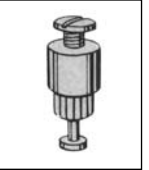
# SCREW TERMINALS

OFFSET LEG	STRAIGHT LEG	SOLDER TAB
 <p><b>6-32</b></p>  <p>6-32 x 3/8 L. SCREW</p> <p>Mounting Detail</p>  <p><b>SPECIFICATIONS</b> Terminal: .032 Steel, Tin Plate Screw: Steel, Nickel Plate (Screw Installed &amp; Captivated) <b>CAT. NO. 1248</b></p>	 <p><b>6-32</b></p>  <p>6-32 x 3/8 L. SCREW</p> <p>Mounting Detail</p>  <p><b>SPECIFICATIONS</b> Terminal: .032 Steel, Tin Plate Screw: Steel, Nickel Plate (Screw Installed &amp; Captivated) <b>CAT. NO. 1215</b></p>	 <p><b>6-32</b></p>  <p>6-32 x 5/16 L. SCREW</p> <p>Mounting Detail</p>  <p><b>SPECIFICATIONS</b> Terminal: .032 Steel, Tin Plate Screw: Steel, Nickel Plate (Screw Installed &amp; Captivated) <b>CAT. NO. 1232</b></p>

## PRESS-FIT SCREW TERMINALS

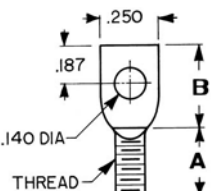
SOLDER TYPE	.187 QUICK-FIT TYPE
 <p><b>SOLDER TYPE</b></p>  <p>6-32 x 3/8 L. SCREW</p> <p>NUT</p> <p>Mounting Detail</p>  <p>Press-fit into .312 sq. hole</p> <p><b>SPECIFICATIONS</b> Terminal: .020 Steel, Tin Plate Screw: Steel, Zinc Plate <b>CAT. NO. 1272</b> (Screw Installed &amp; Captivated)</p>	 <p><b>.187 QUICK-FIT TYPE</b></p>  <p>6-32 x 3/8 L. SCREW</p> <p>NUT</p> <p>Mounting Detail</p>  <p>Press-fit into .312 sq. hole</p> <p><b>SPECIFICATIONS</b> Terminal: .020 Steel, Tin Plate Screw: Steel, Zinc Plate <b>CAT. NO. 1273</b> (Screw Installed &amp; Captivated)</p>

## BINDING POST TERMINALS (RIVET TYPE)

4-40	6-32	8-32
 <p><b>4-40</b></p> <p>4-40 x 3/16 L. SCREW</p> <p>FOR 3/32 BOARD</p> <p><b>SPECIFICATIONS</b> Terminal: Brass, Tin Plate Screw: Steel, Nickel Plate (Screw Supplied Unassembled) <b>CAT. NO. 1537</b></p>	 <p><b>6-32</b></p> <p>6-32 x 3/16 L. SCREW</p> <p>FOR 3/32 BOARD</p> <p><b>SPECIFICATIONS</b> Terminal: Brass, Tin Plate Screw: Steel, Nickel Plate (Screw Supplied Unassembled) <b>CAT. NO. 1535</b></p>	 <p><b>8-32</b></p> <p>8-32 x 3/16 L. SCREW</p> <p>FOR 1/8 BOARD</p> <p><b>SPECIFICATIONS</b> Terminal: Brass, Tin Plate Screw: Steel, Nickel Plate (Screw Supplied Unassembled) <b>CAT. NO. 1536</b></p>

## SPADE BOLTS

**6-32 & 8-32**



**MATERIAL:** Steel, Zinc Plate

CAT. NO.	A	B	Thread
1259	3/8	13/32	6-32
1260	3/8	1/2	8-32

# SCREW TERMINALS

Designers' Choice

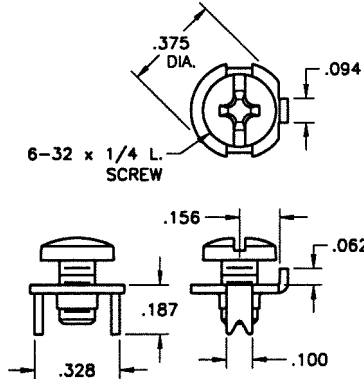


## 6-32 INSERT TERMINAL

These sturdy, easy to mount space saving 6-32 insert terminals are available with screws installed and captivated. They are also available with screw unassembled or without a screw.

### PRINCIPLE FEATURES

- Easy to connect using solid or stranded wire, crimp lugs or terminals
- Anti-rotation tab for use with spade terminals
- Supplied with screw installed and captivated, with screw unassembled, or without screw

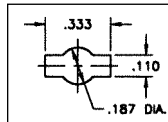


### SPECIFICATIONS

Rated: 15 Amps  
Terminal: .032 Brass, Tin Plate  
Screw: Combination drive, Stainless Steel

- CAT. NO. 1201 (Screw Installed & Captivated)  
CAT. NO. 1298 (Screw Supplied Unassembled)  
CAT. NO. 1284 (Supplied Less Screw)

### Mounting Detail

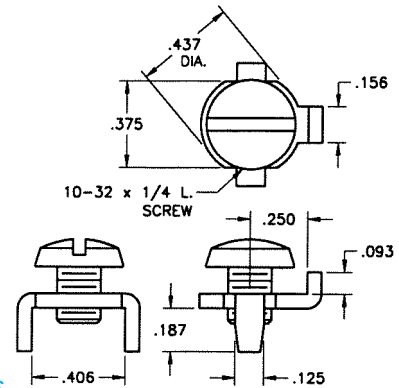


## 10-32 INSERT TERMINAL

These sturdy, low cost 10-32 PC mount terminals, feature an anti-rotation tab for use with spade terminals. They are available with the screw installed and captivated, the screw unassembled or without a screw.

### PRINCIPLE FEATURES

- Easy to connect using solid or stranded wire, crimp lugs or terminals
- Anti-rotation tab for use with spade terminals
- Supplied with screw installed and captivated, with screw unassembled, or without screw

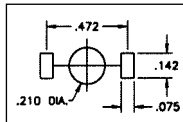


### SPECIFICATIONS

Rated: 30 Amps  
Terminal: .062 Brass, Tin Plate  
Screw: Stainless Steel

- CAT. NO. 1202 (Screw Installed & Captivated)  
CAT. NO. 1299 (Screw Supplied Unassembled)  
CAT. NO. 1293 (Supplied Less Screw)

### Mounting Detail

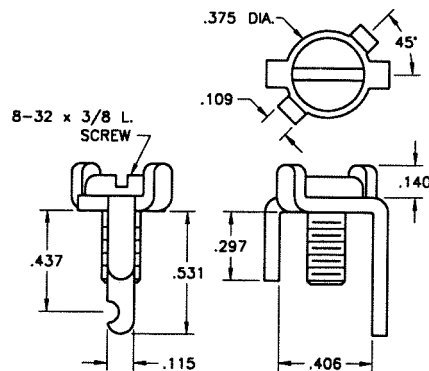


## 8-32 HEAVY DUTY TERMINAL

These 8-32 heavy duty terminals easily mount on PC boards and feature a notched leg that facilitates good mechanical and solder connections below the circuit board.

### PRINCIPLE FEATURES

- Anti-rotation tab for use with spade terminals
- Below the board notched leg, to facilitate mechanical and solder connections
- Easy to connect using solid or stranded wire, crimp lugs or terminals
- Available with screw installed or unassembled

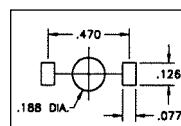


### SPECIFICATIONS

Rated: 15 Amps  
Terminal: .064 Brass, Tin Plate  
Screw: Brass, Tin Plate

- CAT. NO. 1209 (Screw Installed)  
CAT. NO. 1207 (Screw Supplied Unassembled)

### Mounting Detail

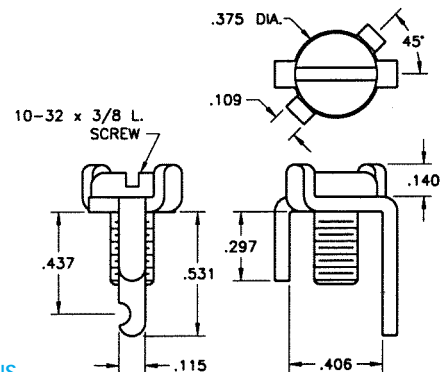


## 10-32 HEAVY DUTY TERMINAL

These heavy duty 10-32 terminals are available with the screw installed or unassembled, and feature easy access to connect solid or stranded wire, crimp type lugs or terminals.

### PRINCIPLE FEATURES

- Anti-rotation tab for use with spade terminals
- Below the board notched leg, to facilitate mechanical and solder connections
- Easy to connect using solid or stranded wire, crimp lugs or terminals
- Available with screw installed or unassembled

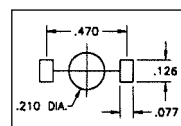


### SPECIFICATIONS

Rated: 30 Amps  
Terminal: .064 Brass, Tin Plate  
Screw: Steel, Nickel Plate

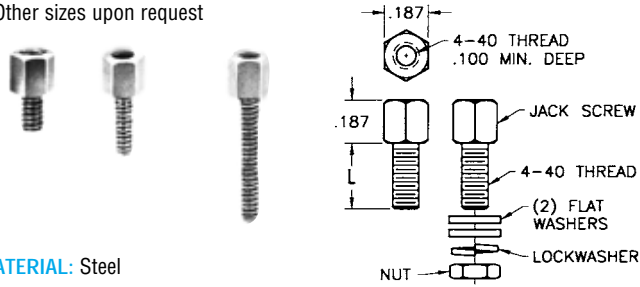
- CAT. NO. 1283 (Screw Installed)  
CAT. NO. 1208 (Screw Supplied Unassembled)

### Mounting Detail



## JACK SCREWS

- Equivalent to AMP, CANNON & TRW Jack Screws
- "D" subminiature connector mounting screw
- Other sizes upon request

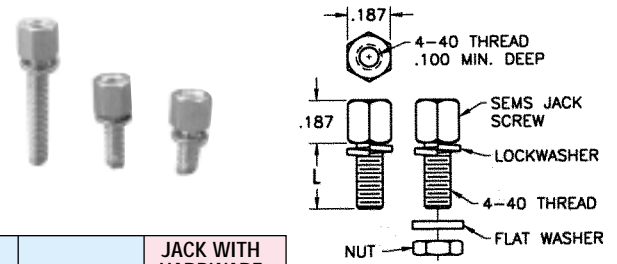


**MATERIAL:** Steel

JACK ONLY		"L" DIM.	JACK WITH HARDWARE (Supplied Unassembled in Bulk)	
ZINC PLATE & GOLD IRIDITE	ZINC PLATE & CLEAR CHROMATE		ZINC PLATE & GOLD IRIDITE	ZINC PLATE & CLEAR CHROMATE
7228	7228-5	.250	7229	7229-5
7230	7230-5	.312	7231	7231-5
7232	7232-5	.625	7233	7233-5

## SEMS JACK SCREWS

- "D" subminiature connector mounting screw
- Captivated helical spring lockwasher, simplifies use
- Flat washer and nut supplied unassembled



"L" DIM.	JACK ONLY CAT. NO.	JACK WITH HARDWARE (Supplied Unassembled in Bulk)
.285	7235	7236
.347	7237	7238
.660	7239	7240

**MATERIAL:** Steel, Zinc Plate & Clear Chromate

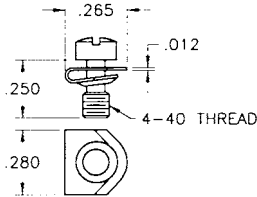
## MOUNTING HARDWARE

Our assortment of standard clips and washers offer the needed flexibility to secure your connectors in the manner best suited to your instrumentation and design.

### "U" CLIP



Supplied Unassembled

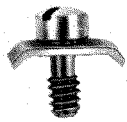


**MATERIAL:**

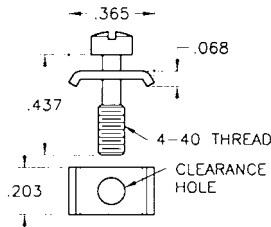
Clip & Screw: Steel, Zinc Plate & Gold Iridite

CAT. NO. 2062

### SADDLE WASHER



Supplied Unassembled



**MATERIAL:**

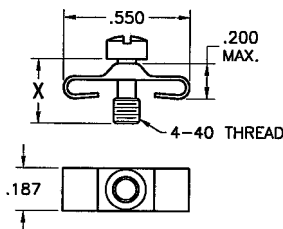
Clip & Screw: Steel, Zinc Plate & Gold Iridite

CAT. NO. 2063

### "BOW TIE" RETAINING CLIP



Supplied Unassembled



**MATERIAL:**

Clip & Screw: Steel, Zinc Plate & Gold Iridite

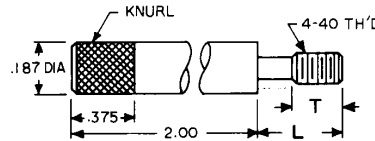
CAT. NO.	X
2060	4-40 x 1/4
2061	4-40 x 9/32

## TURNABLE JACK SCREWS

Turnable jack screws, available with or without screwdriver slot make mating and disconnecting computer connectors quick and easy.

### DIRECT ACCESS

AVAILABLE WITH OR WITHOUT SCREWDRIVER SLOT.

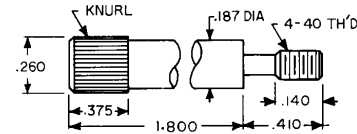


"T" DIM.	"L" DIM.	CAT. NO. WITHOUT SLOT	CAT. NO. WITH SLOT
.125	.250	2064	2065
.250	.437	2066	2067

**MATERIAL:** Steel, Black Oxide

### STRAIGHT KNURL

AVAILABLE WITH OR WITHOUT SCREWDRIVER SLOT.



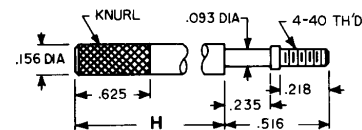
CAT. NO. WITHOUT SLOT	CAT. NO. WITH SLOT
2072	2073

**MATERIAL:**

Steel, Zinc Plate & Clear Chromate

### SLIM LINE

AVAILABLE WITH OR WITHOUT SCREWDRIVER SLOT.



"H" DIM.	CAT. NO. WITHOUT SLOT	CAT. NO. WITH SLOT
1.250	2068	2069
1.750	2070	2071

**MATERIAL:** Steel, Nickel Plate

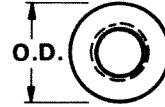
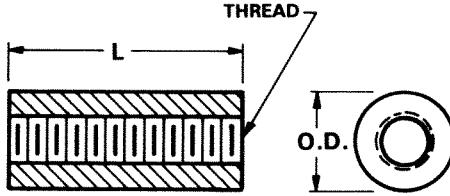


Designers' Choice

# THREADED STANDOFFS



HEX



ROUND



**MATERIAL**

Brass: per ASTM-B16  
Aluminum: QQ-A-225/3, Alloy 2011-T3

**PLATING**

Zinc: ASTM B633  
Iridite Finish: MIL-C-5541

THREAD	O.D.	LENGTH	ALUMINUM IRIDITE FINISH		BRASS ZINC PLATE	
			HEX	ROUND	HEX	ROUND
			CAT. NO.	CAT. NO.	CAT. NO.	CAT. NO.
2-56	.156 (5/32)	3/16 (.187)	1797A	1801A	1798A	1802A
		1/4 (.250)	1797B	1801B	1798B	1802B
		5/16 (.312)	1797C	1801C	1798C	1802C
		3/8 (.375)	1797D	1801D	1798D	1802D
4-40	.187 (3/16)	1/4 (.250)	1891	2025	1450	1547
		3/8 (.375)	1892	2026	1803	1864
		1/2 (.500)	1893	2027	1656	1657
		5/8 (.625)	1894	2028	1804	1865
		3/4 (.750)	1895	2029	1656A	1657A
		7/8 (.875)	1896	2030	1805	1866
		1 (1.000)	1897	2031	1656B	1657B
4-40	.250 (1/4)	1/4 (.250)	2201	3478	1450A	1547A
		3/8 (.375)	2202	3479	1450B	1547B
		1/2 (.500)	2203	3480	1450C	1547C
		5/8 (.625)	1808	1839	1829	1867
		3/4 (.750)	2204	3481	1450D	1547D
		7/8 (.875)	1809	1846	1830	1876
		1 (1.000)	2205	3482	1450E	1547E
		1-1/2 (1.500)	2206	3483	1831	1877
		2 (2.000)	2207	3484	1832	1878
		2 (2.000)	2207	3484	1451A	1548A
6-32	.250 (1/4)	1/4 (.250)	2208	3485	1451A	1548A
		3/8 (.375)	2209	3486	1451B	1548B
		1/2 (.500)	2210	3487	1451C	1548C
		5/8 (.625)	1813	1847	1451D	1548D
		3/4 (.750)	2211	3488	1451E	1548E
		7/8 (.875)	1816	1848	1833	1879
		1 (1.000)	2212	3489	1635	1548F
		1-1/4 (1.250)	1818	1853	1636	1881
		1-1/2 (1.500)	2213	3490	1637	1882
		1-3/4 (1.750)	1819	1855	1638	1883
		2 (2.000)	2214	3491	1639	1884
		2-1/4 (2.250)	1820	1856	1642	1885
		2-12 (2.500)	1825	1857	1643	1886
8-32	.250 (1/4)	1/4 (.250)	2215	3492	1474A	1692A
		3/8 (.375)	2216	3493	1474B	1692B
		1/2 (.500)	2217	3494	1474C	1692C
		5/8 (.625)	1827	1858	1834	1887
		3/4 (.750)	2218	3495	1474D	1692D
		7/8 (.875)	1828	1859	1836	1888
		1 (1.000)	2219	3496	1474E	1692E
		1-1/2 (1.500)	2220	3497	1837	1889
		2 (2.000)	2221	3498	1838	1899
8-32	.375 (3/8)	3/8 (.375)	1926A	2315A	1452A	1549A
		1/2 (.500)	1926B	2315B	1452B	1549B
		5/8 (.625)	1926C	2315C	1452C	1549C
		3/4 (.750)	1926D	2315D	1452D	1549D
		1 (1.000)	1926E	2315E	1452E	1549E

NOTE: Spacers over 1.000 long are tapped .375 deep each end.